



Performance

	ENGLISH	SI	
Sensitivity(± 20 %)	500 mV/g	51 mV/(m/s ²)	[2]
Measurement Range	± 10 g	± 98 m/s ²	
Frequency Range(± 5 %)	28 to 240,000 cpm	0.47 to 4000 Hz	[3]
Frequency Range(± 10 %)	20 to 300,000 cpm	0.33 to 5000 Hz	
Frequency Range(± 3 dB)	10 to 600,000 cpm	0.17 to 10,000 Hz	
Resonant Frequency	960 kcpm	16 kHz	[1]
Broadband Resolution(1 to 10,000 Hz)	35 µg	343 µm/sec ²	[1]
Non-Linearity	± 1 %	± 1 %	[4]
Transverse Sensitivity	≤ 7 %	≤ 7 %	

Environmental

Overload Limit(Shock)	5000 g pk	49,050 m/s ² pk	
Temperature Range	-65 to +250 °F	-54 to +121 °C	
Temperature Response	See Graph	See Graph	[1]
Enclosure Rating	IP68	IP68	

Electrical

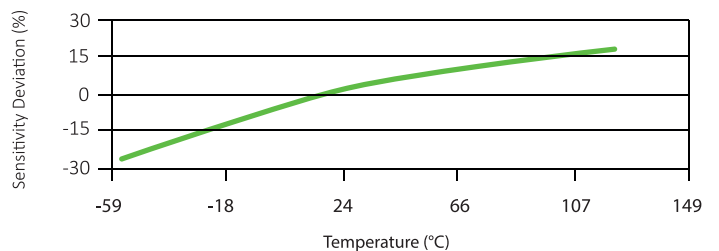
Settling Time(within 1% of bias)	≤ 10 sec	≤ 10 sec	
Discharge Time Constant	≥ 1.0 sec	≥ 1.0 sec	
Excitation Voltage	18 to 28 VDC	18 to 28 VDC	
Constant Current Excitation	2 to 20 mA	2 to 20 mA	
Output Impedance	<150 Ohm	<150 Ohm	
Output Bias Voltage	8 to 12 VDC	8 to 12 VDC	
Spectral Noise(10 Hz)	3 µg/√Hz	29.4 (µm/sec ²)/√Hz	[1]
Spectral Noise(100 Hz)	0.7 µg/√Hz	6.9 (µm/sec ²)/√Hz	[1]
Spectral Noise(1 kHz)	0.5 µg/√Hz	4.9 (µm/sec ²)/√Hz	[1]
Electrical Isolation(Case)	>10 ⁸ Ohm	>10 ⁸ Ohm	

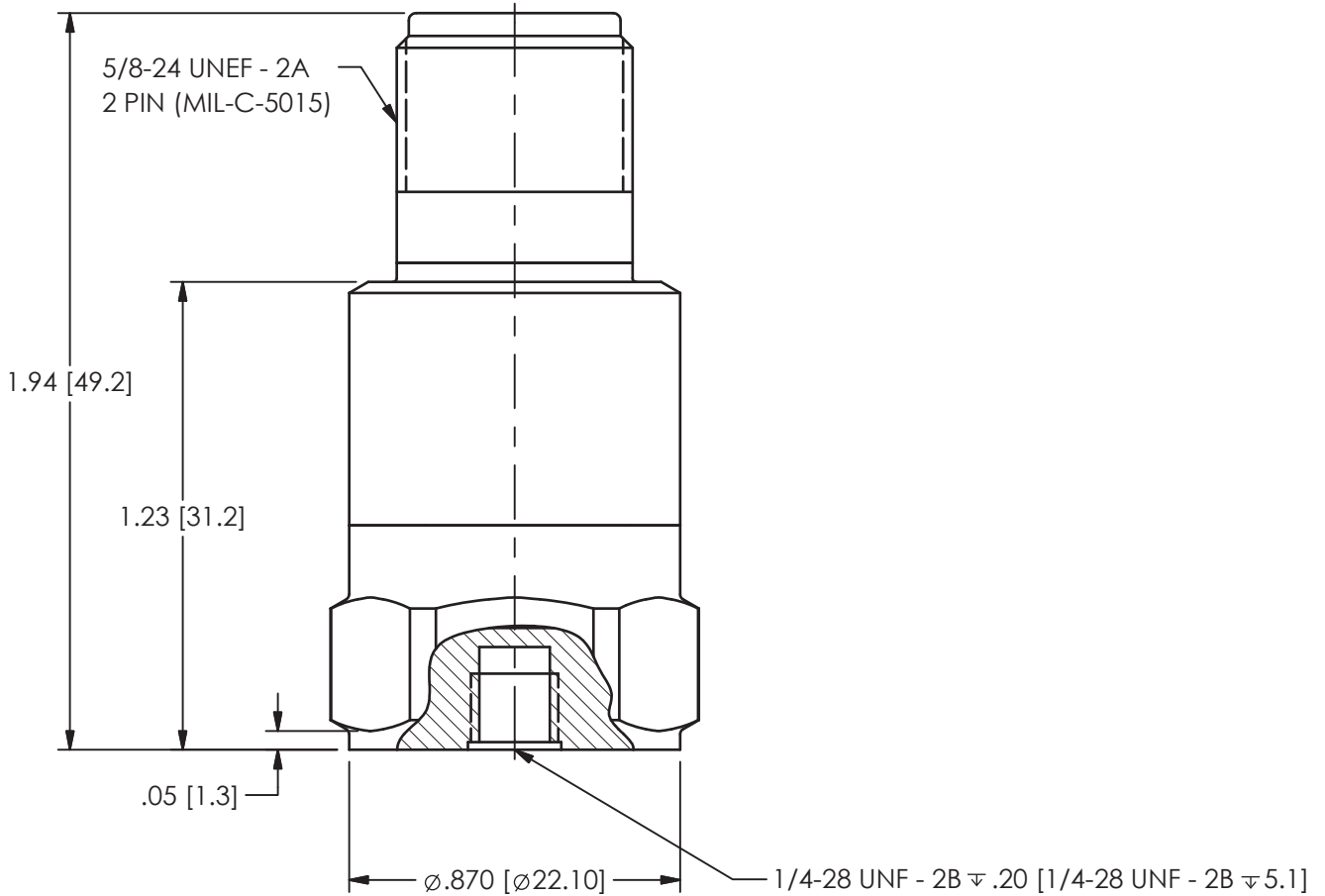
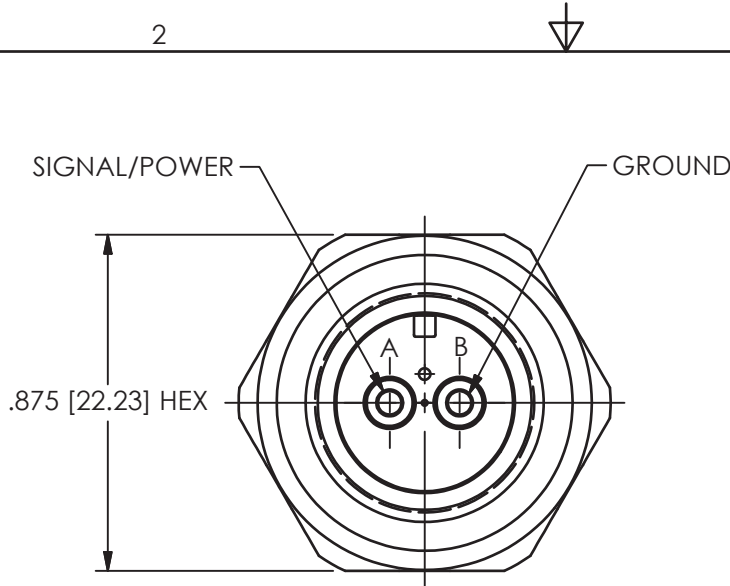
Physical


Size (Hex x Height)	7/8 in x 1.94 in	22.2 mm x 49.3 mm	
Weight	2.8 oz	80 gm	
Mounting Thread	1/4-28 Female	N/A	[5]
Mounting Torque	2 to 5 ft-lb	2.7 to 6.8 Nm	
Sensing Element	Ceramic	Ceramic	
Sensing Geometry	Shear	Shear	
Housing Material	Stainless Steel	Stainless Steel	
Sealing	Welded Hermetic	Welded Hermetic	
Electrical Connector	2-Pin MIL-C-5015	2-Pin MIL-C-5015	
Electrical Connection Position	Top	Top	

NOTES:
 [1] Typical.
 [2] Conversion Factor 1g = 9.81 m/s².
 [3] The high frequency tolerance is accurate within ±10% of the specified frequency.
 [4] Zero-based, least-squares, straight line method
 [5] 1/4-28 has no equivalent in S.I. units.

Typical Sensitivity Deviation vs Temperature





UNLESS OTHERWISE SPECIFIED TOLERANCES ARE:		TITLE OUTLINE DRAWING MODEL 601M55AQT ACCELEROMETER	 E-MAIL: sales@aqtech.com	
DIMENSIONS IN INCHES	DIMENSIONS IN MILLIMETERS [IN BRACKETS]		CODE IDENT. NO.	DWG. NO.
DECIMALS XX ±.03 XXX ±.010	DECIMALS X ± 0.8 XX ± 0.25		SCALE: 2X	SHEET 1 OF 1
ANGLES ± 2 DEGREES	ANGLES ± 2 DEGREES			
FILLETS AND RADII .003 - .005	FILLETS AND RADII 0.07 - 0.13			

2



1